

AI 12X/20X/23X PTZ Bullet Plus Network Camera



IP66

AF Lens



DATASHEET



Key Features

- ▶ NDA A Compliance (The fully NDA A-compliant products are well suited for government, defense and a range of projects subject to the NDA A.)
- ▶ Smart IR II (Combining the High Beam and Low Beam to adjust IR intensity to fit different lighting conditions.)
- ▶ 60fps/90fps High Frame Rate (Camera can easily catch images with no latency despite of the high-speed movement.)
- ▶ PTZ Auto Tracking (Perform Pan/Tilt/Zoom to track the moving objects in a proper size automatically.)
- ▶ Smart PTZ Motion Detection (Pan and tilt to the position of motion detected area automatically and zoom in synchronously.)
- ▶ 300 Preset Positions (The user can easily control the lens position via mouse to monitor interested area and set up to 300 preset positions for patrolling.)
- ▶ Keyboard Control (Shortcut keys for PTZ control via Keyboard.)
- ▶ Smart Stream (Bandwidth, storage and bit rate save with Smart Stream ON, e.g. H.265+ save 70%~80% bandwidth of H.264.)

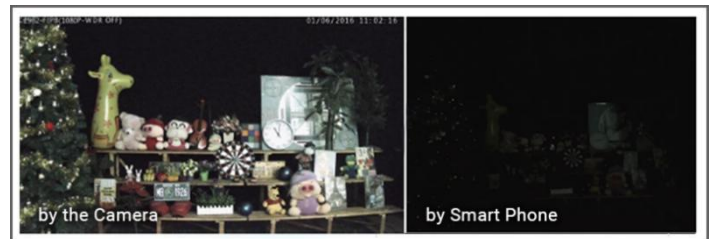
AI Video Analytics

- 8 intelligent VCA modes powered by AI engine, which can intelligently filter objects to focus on human and vehicle detection.
- People Counting technology provides high accuracy and real-time data based on AI algorithm with statistic reports.
- Face Detection function detects human faces in the monitoring scene and captures the snapshots, which greatly enhances the monitoring efficiency.



0.002Lux Ultra Low-light

The starlight camera is able to deliver high detailed color image even in low light environment reaching 0.002Lux or 0Lux(B/W), and near infrared light environments without any supplementary lighting.



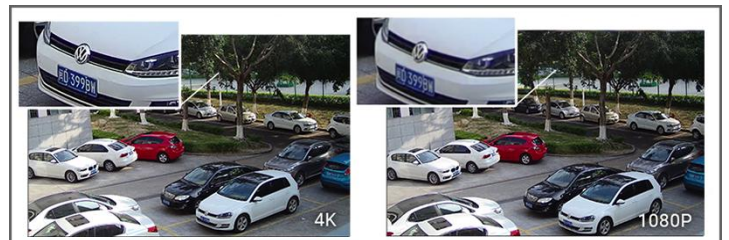
12X/20X/23X Optical Zoom

The 12X/20X/23X optical zoom can zoom up to distant subjects while still maintaining the clarity, delivering high quality video over the entire zoom range.



30fps@4K

Providing 4K HD resolution with frame rate of 30fps, the camera performs well in catching detailed image regardless of the moving speed.



AI 12X/20X/23X PTZ Bullet Network Camera



| | Model | MS-C4467-X20RPE (4MP) | MS-C8267-X20PE (4K) |
|---------------|--------------------------|--|--|
| Camera | Image Sensor | 1/1.8" Progressive Scan CMOS | |
| | Min. Illumination | Color: 0.002Lux@F1.6 B/W: 0Lux with IR on | Color: 0.009Lux@F1.6 B/W: 0Lux with IR on |
| | WDR | 120dB Super WDR | |
| | Shutter Time | 1/100000s~1s | |
| | IR Distance | Up to 180m | |
| | Digital Zoom | 16X | |
| | Day/Night Mode | Day/Night/Auto/Customize/Schedule | |
| | S/N | >55dB | |
| Lens | Focal Length | 6.4~128mm, 20X Optical Zoom | |
| | Zoom Speed | Approx 5s (Wide-Tele) | |
| | Field of View | H60°~H3°/D67°~D4°/V37°~V1° | |
| | Focus Control | Auto/Semi-Auto/Manual | |
| | Minimum Working Distance | 1000/2000mm (Wide/Tele) | |
| | Aperture | F1.6~F4.0 | F1.6~F4.0 |
| | Iris Control | Auto | |
| PTZ | Pan Range/Pan Speed | 360°endless / Pan Manual Speed: 0.1°~50°/s, Pan Preset Speed: 50°/s | |
| | Tilt Range/Tilt Speed | -45°~30° / Tilt Manual Speed: 0.1°~30°/s, Tilt Preset Speed: 30°/s | |
| | Proportional Zoom | Support | |
| | Preset Quantity | 300 | |
| | Patrol | 8 Patrols, up to 48 presets each patrol | |
| | Pattern | 4 Patterns | |
| | Auto Tracking | Support | |
| | Power Off Memory | Support | |
| | Other Function | Auto Scan, Auto Home, Preset Freezing, 3D Positioning, PTZ Limits, Initial Position | |
| Video | Max. Image Resolution | 2688x1520 | 3840x2160 |
| | Primary Stream | 60Hz: 60fps@(2688x1520, 2304x1296, 1920x1080, 1280x720) 50Hz: 50fps@(2688x1520, 2304x1296, 1920x1080, 1280x720) | 60Hz: 30fps@(3840x2160, 3072x2048, 2592x1944, 2592x1520, 2048x1536, 1920x1080, 1280x960, 1280x720, 704x576) 50Hz: 25fps@(3840x2160, 3072x2048, 2592x1944, 2592x1520, 2048x1536, 1920x1080, 1280x960, 1280x720, 704x576) |
| | Secondary Stream | 60Hz: 30fps@(704x576, 640x480, 640x360, 352x288, 320x240) 50Hz: 25fps@(704x576, 640x480, 640x360, 352x288, 320x240) | 60Hz: 30fps@(1920x1080, 1280x720, 704x576, 640x480, 640x360, 320x240) 50Hz: 25fps@(1920x1080, 1280x720, 704x576, 640x480, 640x360, 320x240) |
| | Tertiary Stream | 60Hz: 30fps@(1280x720, 704x576, 640x480, 640x360, 320x240) 50Hz: 25fps@(1280x720, 704x576, 640x480, 640x360, 320x240) | 60Hz: 30fps@(1920x1080, 1280x720, 704x576, 640x480, 640x360, 320x240) 50Hz: 25fps@(1920x1080, 1280x720, 704x576, 640x480, 640x360, 320x240) |
| | Video Compression | H.265*/H.265(HEVC)/H.264*/H.264/MJPEG | |

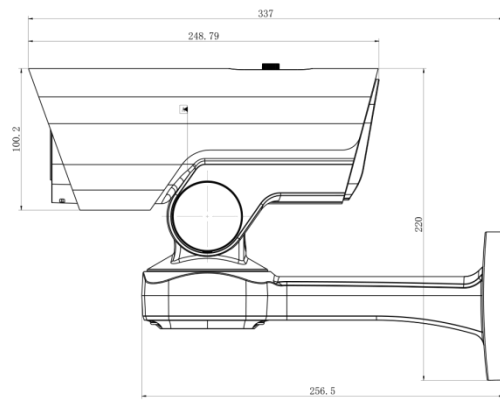
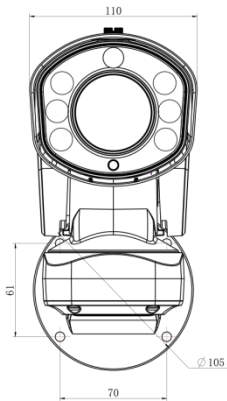
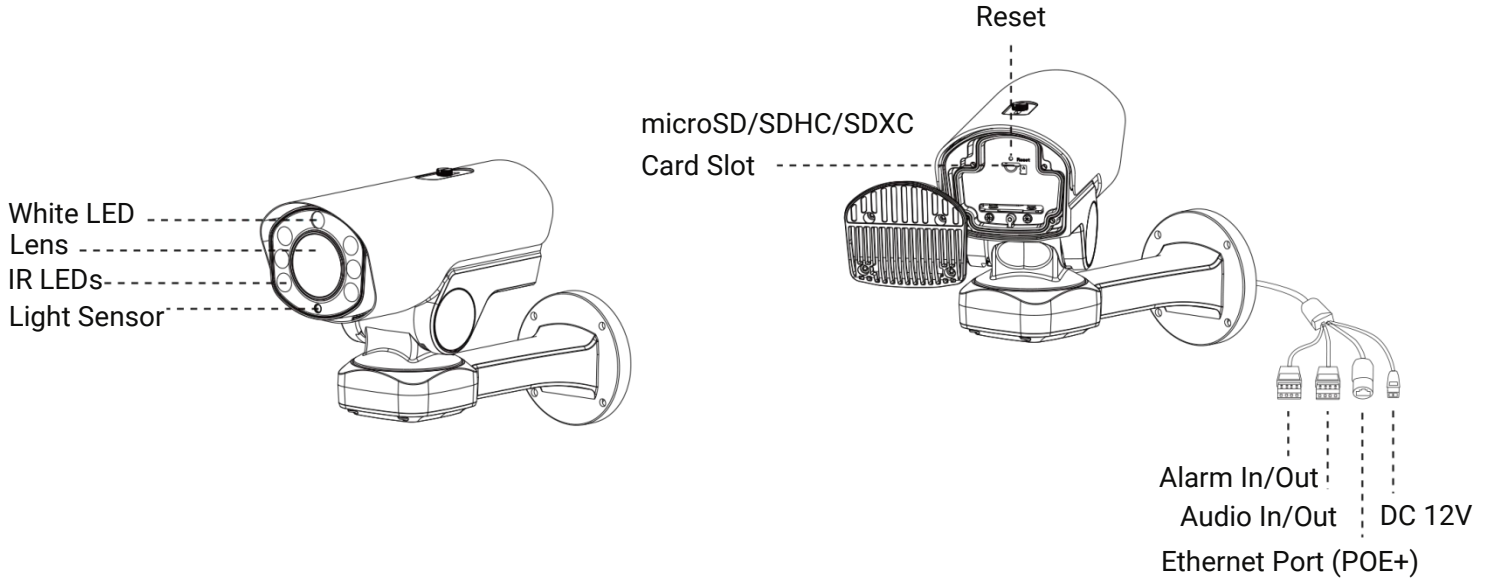
AI 12X/20X/23X PTZ Bullet Network Camera



| | | |
|------------------------------|---|--|
| Video | Video Bit Rate | 16Kbps~16Mbps(CBR/VBR Adjustable) |
| | Privacy Masking | Up to 8 Areas (Mask Area and Mosaic Area are optional) |
| | ROI | Up to 8 areas |
| | Image Setting | Brightness/Contrast/Saturation/Sharpness |
| Interface | Ethernet | 1*RJ45 10M/100M Ethernet Port |
| | Audio I/O | 1/1 |
| | Alarm I/O | 1/1 |
| Network | Network Storage | NAS(Support NFS, SMB/CIFS), ANR |
| | Protocol | IPv4/IPv6, ARP, TCP, UDP, RTCP, RTP, RTSP, RTMP, HTTP, HTTPS, DNS, DDNS, DHCP, FTP, NTP, SMTP, SNMP, UPnP, Bonjour, SIP, PPPoE, VLAN, 802.1x, QoS, IGMP, ICMP, SSL |
| Audio | Audio Compression | G.711/AAC/G.722/G.726 |
| | Audio Sampling Rate | 8/16/32/44.1/48KHz |
| | Audio Bit Rate | 16~256kbps |
| | Two-way Audio | Support |
| Intelligent Analytics | Video Analysis | Intrusion Detection, Region Entrance, Region Exiting, Advanced Motion Detection, Tamper Detection, Line Crossing, Loitering, Object Left, Object Removed |
| | Face Detection&Face Attribute Recognition | Detect and capture faces, get real-time snapshots;The attributes include Age, Gender, Glasses, Mask and Cap; Support Faces Privacy Mode, the detected faces in the face detection area will be mosaic automatically. |
| | People Counting&Report | Count the number of people entering or exiting, up to 4 detection areas for regional people counting |
| System | Storage | Support microSD/SDHC/SDXC Card Local Storage, up to 1TB |
| | Advanced Function | BLC, HLC, 2D DNR, 3D DNR, Defog, AWB, IP Address Filtering, AGC, Anti-flicker, Corridor Mode, Deblur, Watermark |
| | SIP/VoIP Support | Yes, Voice & Video-over-IP |
| | Event Trigger | Motion Detection, Network Disconnection, External Input, Audio Alarm, etc. |
| | Event Action | FTP Upload, SMTP Upload, SD Card Record, External Output, SIP Phone, White LED, PTZ Motion, HTTP Notification, etc. |
| | System Compatibility | ONVIF Profile G & M & S & T, API |
| General | Working Temperature | -40°C~60°C |
| | Working Humidity | 0~90%(Non-condensing) |
| | Power Supply | PoE (802.3at) / DC 12V/3A±10% |
| | Power Consumption | 14W MAX / 24W MAX (With IR on) |
| | Weather Proof | Up to IP66-rated for Weather-resistant Performance |
| | Weight | 2.9Kg |
| | Dimensions | 110mmX337mmX220mm |
| | Warranty | 2 Years / 3 Years (Optional) |



Structure Diagrams



Units: mm

Accessories Support

A01 Pole Mount

Weight: 720g

Dimensions: 170*51.5*152.6mm



A03 External Corner Bracket

Weight: 900g

Dimensions: 170*152.5*76.3mm



A62 Junction Box

Weight: 510g

Dimensions: 134*126*40mm

