

4MP 33x Lighthunter Network PTZ Dome Camera

IPC6624SR-X33-VF



Key Features



- High quality image with 4MP, 1/2.8" CMOS sensor
- 2688*1520@30fps in the main stream
- Ultra 265, H.265, H.264, MJPEG
- Triple streams
- 33X Optical Zoom
- Smart intrusion prevention, support false alarm filtering, include Cross Line, Intrusion, Enter Area, Leave Area detection
- People Counting, support people flow counting and crowd density monitoring, suitable for different statistical scenarios
- Lighthunter technology ensures ultra-high image quality in low illumination environment
- Smart IR, up to 150m (492 ft) IR distance
- AC 24V±25%, DC 24V±25% or PoE+(IEEE 802.3at) power supply
- Alarm 2 in and 1 out, Audio 1 in and 1 out
- IP66 ingress protection

Specifications

IPC6624SR-X33-VF					
Camera					
Sensor	1/2.8", 4.0 megapixel, progressive scan, CMOS				
Min. Illumination	Colour: 0.003 Lux (F1.5, AGC ON) 0 Lux with IR				
Day/Night	IR-cut filter with auto switch (ICR)				
Shutter	Auto, 1 ~ 1/100000s				
WDR	120dB				
S/N	>56dB				
Lens					
Lens type	4.5 ~ 148.5mm, AF automatic focusing and motorized zoom lens				
Digital Zoom	16				
Optical Zoom	33				
Iris	Auto; F1.5 ~ F4.0				
Field of View (H)	51.4° ~ 2.5°				
Field of View (V)	30.3° ~ 1.4°				
Field of View (D)	63.2° ~ 3.0°				
DORI					
DORI Distance	Lens (mm)	Detect (m)	Observe (m)	Recognize (m)	Identify (m)
	4.5	105.8(346.9ft)	42.3(138.8ft)	21.2(69.4ft)	10.6(34.7ft)
	148.5	3172.5(10408.5ft)	1269.0(4163.4ft)	634.5(2081.7ft)	317.3(1040.8ft)
Illuminator					
IR Range	Up to 150m (492 ft) IR range				
Wavelength	850nm				
IR On/Off Control	Auto/Manual				
Video					
Video Compression	Ultra 265, H.265, H.264, MJPEG				
Frame Rate	Main Stream: 4MP(2688*1520), Max 30fps; Sub Stream: 2MP (1920*1080), Max 30fps; Third Stream: D1 (720*576), Max 30fps;				
Video Bit Rate	128 Kbps~16 Mbps				
U-code	Support				
ROI	Up to 8 areas				
Video stream	Triple streams				
OSD	Up to 8 OSDs				
Privacy Mask	24 areas, up to 4 areas per scene				
Image					
White Balance	Auto/Outdoor/Fine Tune/Sodium Lamp/Locked/Auto2				
Digital noise reduction	2D/3D DNR				
Smart IR	Support				
Flip	Normal/Flip Vertical/Flip Horizontal/180°/90°Clockwise/90°Anti-clockwise				
HLC	Support				
BLC	Support				
Defog	Digital Defog				

Intelligent

Smart Intrusion prevention	Support false alarm filtering: Cross Line detection, Intrusion detection, Enter Area detection, Leave Area detection
People Counting	Support people flow counting and crowd density monitoring

Events

Basic Detection	Motion detection, Audio detection, Tampering Alarm
Auto Tracking	Support
General Function	Watermark, IP Address Filtering, Alarm input, Alarm output, Access Policy, ARP Protection, RTSP Authentication, User Authentication

Audio

Audio Compression	G.711U,G.711A
Audio Bitrate	64 Kbps
Two-way Audio	Support
Suppression	Support
Sampling Rate	8 kHz

Storage

Edge Storage	Micro SD, up to 256 GB
Network Storage	ANR,NAS(NFS)

Network

Protocols	IPv4, IGMP, ICMP, ARP, TCP, UDP, DHCP, PPPoE, RTP, RTSP, RTCP, DNS, DDNS, NTP, FTP, UPnP, HTTP, HTTPS, SMTP, 802.1x, SNMP, QoS, RTMP,SSL/TLS
Compatible Integration	ONVIF (Profile S, Profile G, Profile T), API,SDK
User/Host	Up to 32 users. 3 user levels: administrator, operator and common user
Security	Password protection, strong password, HTTPS encryption, Export operation logs, basic and digest authentication for RTSP, digest authentication for HTTP, TLS 1.2, WSSE and digest authentication for ONVIF
Client	EZStation EZLive EZView
Web Browser	Plug-in required live view: IE 10 and above, Chrome 45 and above, Firefox 52 and above, Edge 79 and above

Pan & Tilt

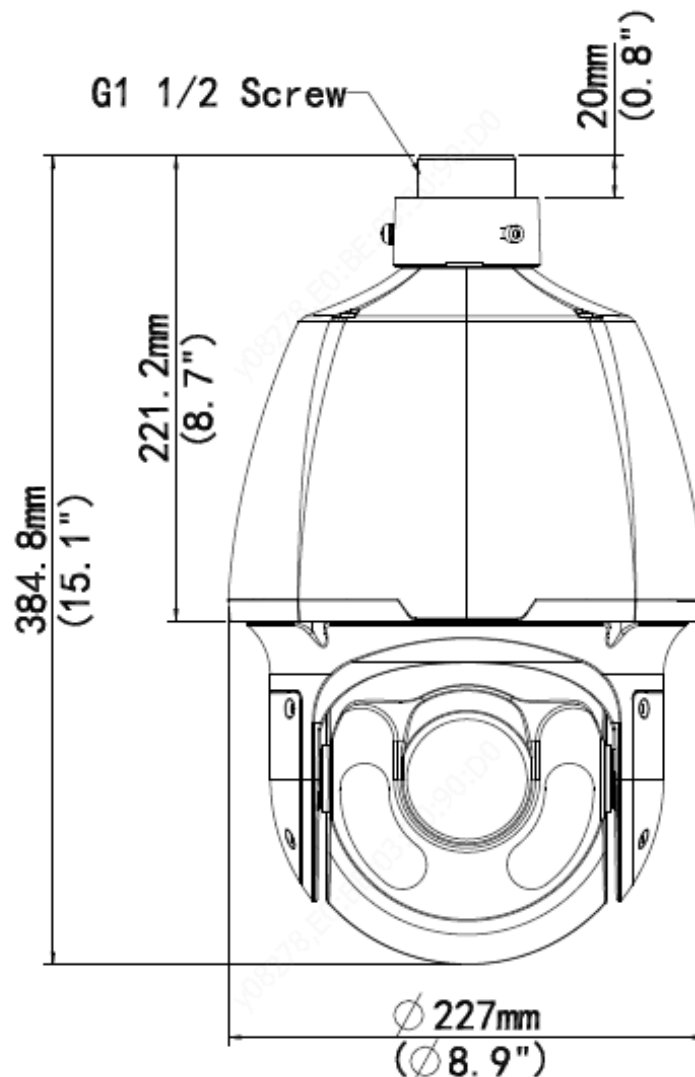
Pan Range	360° (endless)
Pan Speed	0.1°/s ~ 200°/s
	Preset speed: 300°/s
Tilt Range	-15° ~ 90° (auto reverse)
Tilt Speed	0.1°/s ~ 200°/s
	Preset speed: 240°/s
Number of Presets	1024
Preset Patrol	16 patrols, up to 64 presets for each patrol
Route Patrol	16 patrols, up to 32 actions for each patrol
Recorded Patrol	16 patrols, up to 128 actions for each patrol
Patrol Stay Time	15s~1800s
Preset Image Freeze	Support
Home Position	Support

Interface

Audio I/O	1/1
Alarm I/O	2/1
Serial Port	1 RS485
Built-in Mic	N/A

Built-in Speaker	N/A
WIFI	N/A
Network	1 * RJ45 10M/100M Base-TX Ethernet
Video Output	1 BNC
Certification	
EMC	CE-EMC (EN 55032:2015+A11:2020; EN IEC 61000-3-2:2019; EN 61000-3-3:2013+A1:2019; EN 55035:2017+A11:2020) FCC (FCC CFR 47 part15 B, ANSI C63.4-2014)
Safety	CE LVD (EN 62368-1:2014+A11:2017) CB (IEC 62368-1:2014) UL (UL 62368-1, 2nd Ed., Issue Date: 2014-12-01)
Protection	IP66 (IEC 60529:1989+AMD1:1999+AMD2:2013)
General	
Power	AC 24V±25%, DC 24V±25%, PoE+ (IEEE802.3 at)
	Power consumption: Max 25W
Power Interface	Wires with cold-pressed terminal
Dimensions (Ø x H)	Ø227 x 384.8mm (Ø8.9" x 15.1")
Weight	5.28kg(11.64lb)
Working Environment	-40°C ~70°C (-40°F ~ 158°F) , Humidity: ≤95% RH (non-condensing)
Storage Environment	-40°C ~70°C (-40°F ~ 158°F) , Humidity: ≤95% RH (non-condensing)
Surge protection	6KV
Reset button	Support

Dimensions



Accessories

TR-CE45-IN

Pendent Mount



TR-SE45-A-IN

Pendent Mount



TR-SE45-IN

Pendent Mount



TR-WE45-IN

Wall Mount



TR-WE45-A-IN

Wall Mount



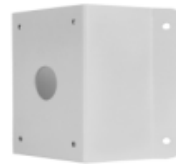
TR-UP08-A-IN/TR-UP08-B-IN

Pole Mount



TR-UC08-A-IN/ TR-UC08-B-IN

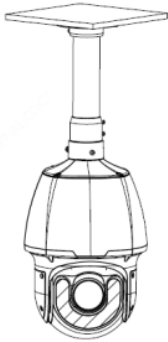

Corner Mount



TR-JB12-IN

Junction Box



Pendent Mount (Indoor Use)	Pole Mount
	
Corner Mount	
