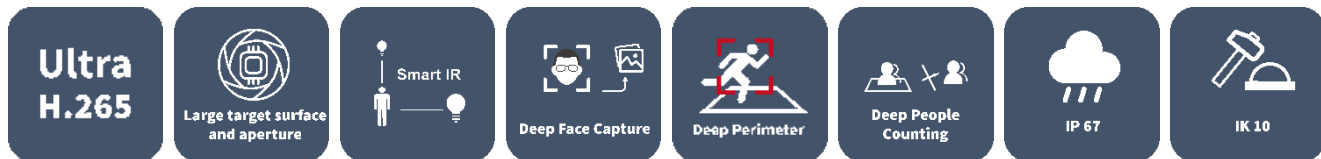


4MP LightHunter **Deep Learning** Vandal-Resistant Dome IP-Camera



Key Features



Optics

- 1/1.8", Powered by **Lighthunter**
- Smart IR, up to 40m (131 ft) IR distance
- Up to 120 dB Optical WDR (Wide Dynamic Range)

Smart

- Face metering, intelligent adjustment of face brightness
- Capture faces upon successful recognition or triggered by alarm input
- Automatic selection of best snapshots
- People counting, statistics of people entering, leaving and the total number
- Perimeter Protection, include Cross Line, Intrusion, Enter Area, Leave Area detection
- Exception Detection and Statistics, include Object Moving, Object Left, Defocus, Scene Change

Compression

- Ultra 265, H.265, H.264, MJPEG
- Triple streams
- 2688*1520@30fps in the main stream
- ROI (Region of Interest)
- ONVIF Conformance

Structure

- DC12V or AC24V or PoE power supply
- Wide voltage range of $\pm 25\%$ in AC, $\pm 25\%$ in DC
- Micro SD, up to 256 GB
- Alarm 1 in and 1 out, Audio 1 in and 1 out
- IP67 ingress protection
- IK10 vandal resistant

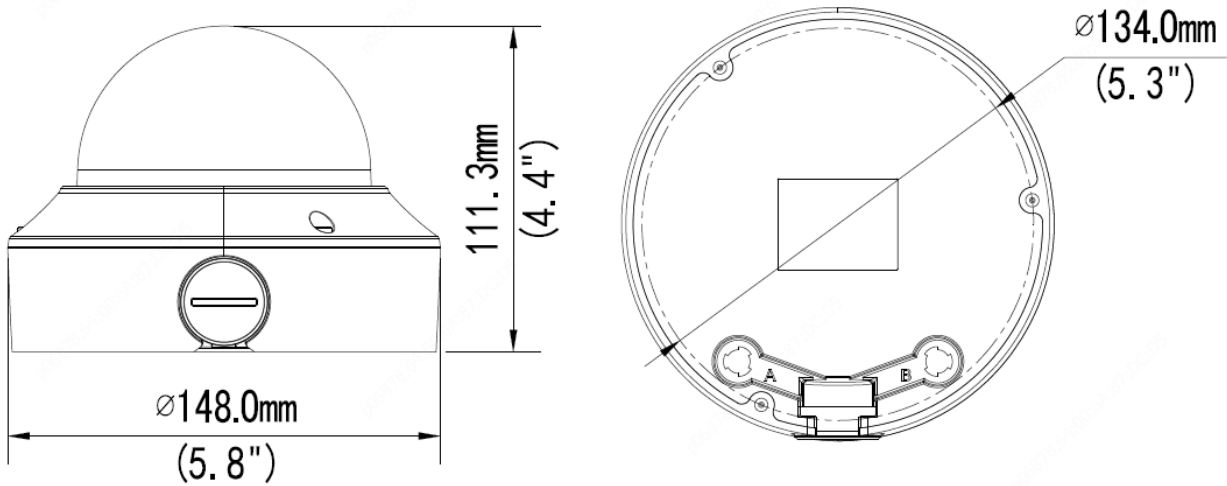
Specifications

	EXAI-3234/DL				
Sensor	1/1.8", 4.0 megapixel, progressive scan, CMOS				
Lens	2.8-12mm@F1.2, AF automatic focusing and motorized zoom lens				
Iris	Auto aperture				
DORI Distance	Lens (mm)	Detect (m)	Observe (m)	Recognize (m)	Identify (m)
	2.8	42(137.8ft)	16.8(55.1ft)	8.4(27.6ft)	4.2(13.8ft)
	12	180(590.4ft)	72(236.2ft)	36(118.1ft)	18(59.0ft)
Angle of View (H)	35.6°~107.9°				
Angle of View (V)	20.4°~75.4°				
Angle of View (O)	43.8°~140.3°				
Shutter	Auto/Manual, 1 ~ 1/100000s				
Adjustment angle	Pan: 0°~355°		Tilt: 0°~68°		Rotate: 0°~355
Min. Illumination	Colour:0.0005lux (F1.2, AGC ON) 0 lux with IR				
WDR	120dB				
Day/Night	IR-cut filter with auto switch (ICR)				
S/N	>55dB				
IR Range	Up to 40m (131 ft) IR range				
Wavelength	850nm				
IR On/Off Control	Auto/Manual				
Defog	Digital Defog				
Video					
Video Compression	Ultra 265, H.265, H.264, MJPEG				
Frame Rate	Main Stream: 4MP(2688*1520),Max 30fps; 4MP(2560*1440),Max 30fps; 2MP(1920*1080),Max 60fps Sub Stream: 2MP (1920*1080), Max 60fps; Third Stream: D1 (720*576), Max 60fps				
Video Bit Rate	128 Kbps~16 Mbps				
ROI	Supported				
Video stream	Triple streams				
OSD	Up to 8 OSDs				
Privacy Mask	Up to 8 areas (8 blacks / 4blacks+4mosaic)				
Image					

White Balance	Auto/Outdoor/Fine Tune/Sodium Lamp/Locked/Auto2
Digital noise reduction	2D/3D DNR
Smart IR	Support
Flip	Normal/Flip Vertical/Flip Horizontal/180°/90°Clockwise/90°Anti-clockwise
HLC	Support
BLC	Support
Smart	
Behavior Detection	Support false alarm filtering , Line crossing detection, Intrusion detection, Region entrance detection, Region exit detection ; Motion detection ;
Exception Detection And Statistics	Object Moving, Object Left, Defocus, Scene Change
Recognition	Face detection, support collecting 3 kinds of face attributes includes Age, Gender, Glasses ; Audio detection ;
Statistical Analysis	People counting, support tripwire people counting and area people counting
General Function	Watermark, IP Address Filtering, Tampering Alarm, Alarm input, Alarm output, Access Policy, ARP Protection, RTSP Authentication, User Authentication
Audio	
Audio Compression	G.711U,G.711A
Two way audio	Supported
Sampling Rate	8KHZ
Storage	
Edge Storage	Micro SD, up to 256 GB
Network Storage	ANR,NAS(NFS)
Network	
Protocols	IPv4, IGMP, ICMP, ARP, TCP, UDP, DHCP, PPPoE, RTP, RTSP, RTCP, DNS, DDNS, NTP, FTP, UPnP, HTTP, HTTPS, SMTP, 802.1x, SNMP, QoS, RTMP
Compatible Integration	ONVIF, API
Client	EZStation Ezview EZLive
Web Browser	Plug-in required live view: IE9+, Chrome 41 and below, Firefox 52 and below
	Plug-in free live view: Chrome 57.0+, Firefox 58.0+, Edge 16+, Safari 11+
Interface	
Audio I/O	Audio cable
	1 Input: impedance 35kΩ; amplitude 2V [p-p]
	1 output: impedance 600Ω; amplitude 2V [p-p]
Alarm I/O	1/1
Network	1 x RJ45 10M/100M Base-TX Ethernet
Certifications	
Certifications	CE: EN 60950-1 UL: UL60950-1 FCC: FCC Part 15
General	
Power	AC24V±25%, DC12V(±25%), PoE(IEEE 802.3af)
	Power consumption: Max 10W
	Support overcurrent protection , Input short circuit protection
Dimensions (∅ x H)	∅148 x 111.3mm(∅5.8" x 4.4")
Net Weight	0.96kg(2.12lb)
Material	Shield : PC

	Bottom plate : metal
Working Environment	-30°C~60°C(-22°F ~ 140°F), Humidity: ≤95% RH (non-condensing)
Storage Environment	-40°C~70°C(-40°F ~ 158°F), Humidity: ≤95% RH (non-condensing)
Surge protection	6KV
Vandal Resistant	IK10
Ingress Protection	IP67

Dimensions



Accessories

EXT-AB/3200G



EXT-WHB/3300

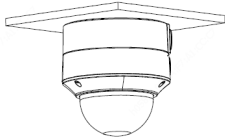
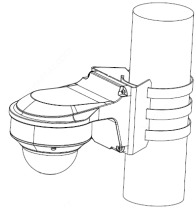


EXT-DEH/3200



EXT-MH/UNV



Junction Mount	Pole Mount
<p>EXT-AB/3200G</p> 	<p>EXT-WHB/3300 and EXT-MH/UNV</p> 
<p>EXT-DEH/3200</p> 