

2MP LightHunter Network PTZ / IR Dome with Active Deterrence

EXBD-672/MZAL



Key Features



Optics

- LightHunter illumination
- Day/night functionality
- Up to 50 m (164 ft) IR and 10m (33 ft) warm light distance
- Up to 120 dB Optical WDR(Wide Dynamic Range)
- Optical glass window with higher light transmittance
- IR anti-reflection window to increase the infrared transmittance
- 2D/3D DNR (Digital Noise Reduction)

Compression

- Ultra 265,H.265, H.264, MJPEG
- Built-in microphone & speaker
- Alarm Light
- Triple streams
- ROI (Region of Interest)



Network

ONVIF Conformance

Structure

- Support PoE power supply

Wide temperature range: -20°C ~ 60°C (-4°F to 140°F)

Wide voltage range of $\pm 25\%$

- IP66

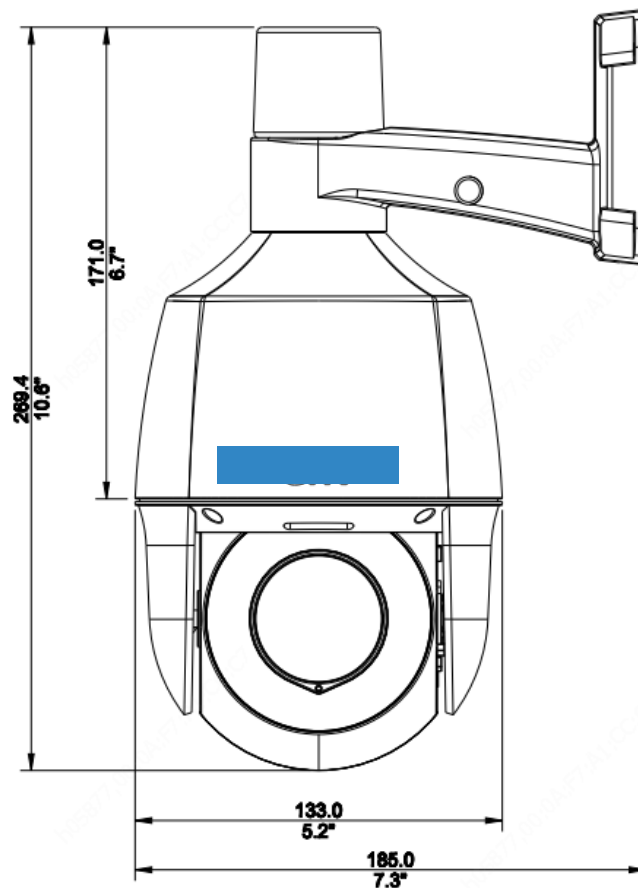
Specifications

EXBD-672/MZAL																
Camera																
Sensor	1/2.8" progressive scan, 2.0 megapixel, CMOS															
Lens	2.8~12mm, AF automatic focusing and motorized zoom lens															
DORI Distance	<table border="1"> <thead> <tr> <th>Lens</th> <th>Detect(m)</th> <th>Observe(m)</th> <th>Recognize(m)</th> <th>Identify(m)</th> </tr> </thead> <tbody> <tr> <td>2.8mm</td> <td>43.4</td> <td>17.4</td> <td>8.7</td> <td>4.3</td> </tr> <tr> <td>12mm</td> <td>186.2</td> <td>74.5</td> <td>37.2</td> <td>18.6</td> </tr> </tbody> </table>	Lens	Detect(m)	Observe(m)	Recognize(m)	Identify(m)	2.8mm	43.4	17.4	8.7	4.3	12mm	186.2	74.5	37.2	18.6
	Lens	Detect(m)	Observe(m)	Recognize(m)	Identify(m)											
	2.8mm	43.4	17.4	8.7	4.3											
12mm	186.2	74.5	37.2	18.6												
Angle of View (H)	32.5°~95.7°															
Angle of View (V)	18.4°~52.2°															
Angle of View (O)	36.9°~100.8°															
Shutter	Auto/Manual, shutter time: 1 s ~ 1/100000 s															
Minimum Illumination	Colour:0.001 lux (F1.6,AGC ON) 0 lux with IR															
Day/Night	IR-cut filter with auto switch (ICR)															
Digital noise reduction	2D/3D DNR															
S/N	>52 dB															
IR Range	UP to 50m (164ft)															
Wavelength	850nm															
IR On/Off Control	Auto/Manual															
Warm Light Range	UP to 10m (33ft)															
WDR	120dB															
Video																
Video Compression	Ultra 265,H.265, H.264, MJPEG															
H.264 code profile	Baseline profile, Main Profile															
Frame Rate	Main Stream:1080P (1920*1080):Max. 30 fps; 720P (1280×720):Max. 30 fps; Sub Stream: 720P (1280×720):Max. 30 fps; Third Stream: CIF (352*288): Max. 30 fps															
Video Bit Rate	128 Kbps~16 Mbps															
OSD	Up to 8 OSDs															

Privacy Mask	Up to 24 areas
ROI	Up to 8 areas
Motion Detection	Up to 4 areas
Image	
White Balance	Auto/Outdoor/Fine Tune/Sodium Lamp/Locked/Auto2
Digital noise reduction	2D/3D DNR
Smart IR	Support
Flip	Normal/Vertical/Horizontal/180°
Dewarping	Support
HLC	Supported
BLC	Supported
Smart	
Behavior Detection	Human Body Detection, Auto Tracking
General Function	Watermark, IP Address Filtering, Tampering Alarm, Access Policy, ARP Protection, RTSP Authentication, User Authentication
Audio	
Audio Compression	G.711
Suppression	Supported
Sampling Rate	8 KHZ
Storage	
Edge Storage	Micro SD, up to 128 GB
Network Storage	ANR, NAS(NFS)
Network	
Protocols	IPv4, IGMP, ICMP, ARP, TCP, UDP, DHCP , PPPoE, RTP, RTSP, RTCP, DNS, DDNS, NTP, FTP, UPnP, HTTP, HTTPS, SMTP , 802.1x , SNMP, SSL
Compatible Integration	ONVIF(Profile S, Profile G, Profile T), API
Client	EZStation EZView EZLive
Web Browser	Plug-in required live view: IE9+, Chrome 41 and below, Firefox 52 and below
	Plug-in free live view: Chrome 57.0+, Firefox 58.0+, Edge 16+, Safari 11+
Pan & Tilt	
Pan Range	345°
Pan Speed	0.1° /s ~ 50° /s
	Preset speed: 50° /s
Tilt Range	90°
Tilt Speed	0.1° ~ 40° /s
	Preset speed: 40° /s
Number of Presets	256
Patrol	Preset patrol, Route patrol
Interface	
Network	1 RJ45 10M/100M Base-TX Ethernet
Built-in Mic	Supported
Built-in Speaker	Supported
Alarm Light	Supported
Certifications	

Certifications	CE: EN 60950-1 UL: UL60950-1 FCC: FCC Part 15
General	
Power	DC 12V \pm 25%, PoE (IEEE802.3 at)
	Power consumption: Max 16 W
Dimensions (\varnothing x H)	\varnothing 133mm*269.4mm (\varnothing 5.2" x 10.6")
Net Weight	0.87 kg (1.92lb)
Gross Weight	1.13 kg (2.49lb)
Material	The front half of the sphere: metal The others: plastic
Working Environment	-20°C ~ 60°C (-4°F to 140°F), Humidity: \leq 95% RH(non-condensing)
Storage Environment	-20°C ~ 60°C (-4°F to 140°F), Humidity: \leq 95% RH(non-condensing)
Surge Protection	4KV
Ingress Protection	IP66
Reset Button	Supported

Dimensions



Accessories

