



ACM-4200/ACM-4201



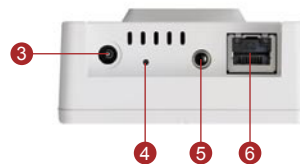
* The bracket is included.

- 1/3" Micron Progressive Scan CMOS
- Bundled with f4.2 mm / F1.8 Megapixel lens
- 0.5 Lux at F1.0
- Interchangeable Lenses Available
- Shutter Speed, White Balance, Exposure , Gain Controls supported
- Selectable MPEG-4 / MJPEG compression
- Up to SXGA resolution at 8 FPS
- Multi-stream with variable frame rate in the same compression
- Two-way audio supported
- Hardware motion detection
- DC 12V or Power over Ethernet (IEEE 802.3af) supported (ACM-4201)



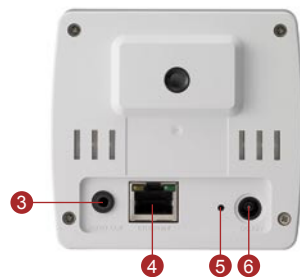
- 1 Power LED
- 2 Built-in Microphone

ACM-4200



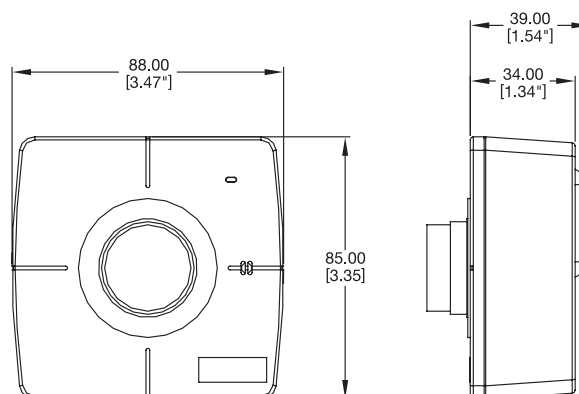
- 3 DC 3.3V Power Input
- 4 Reset Button
- 5 Audio Output
- 6 Ethernet Port

ACM-4201



- 3 Audio Output
- 4 Ethernet Port
- 5 Reset Button
- 6 DC 12V Power Input

DIMENSION DIAGRAM



Unit: mm [inch]



ACM-4200/ACM-4201

PRODUCT SPECIFICATION

| | | ACM-4200 | ACM-4201 |
|-------------------------|--|--|---------------------------------|
| Image | Device | Micron Progressive Scan CMOS | |
| | Size | 1/3 inch | |
| | Effective Pixels | 1280(H) x 1024(V) | |
| Min. scene Illumination | Color | 0.5 Lux at F1.0 (2400 °K, 30 IRE) | |
| Lens | Lens | f4.2 mm / F1.8 | |
| | Viewing Angle | 75° (Horizontal) | |
| Synchronization | Sync. System | Internal | |
| Functions | Motion Detection | Yes (3 windows) | |
| | Electronic shutter | 1/5 ~ 1/15,000 sec. | |
| | Fixed Shutter (Manual) | 1/30 ~ 1/1,000 sec. (60Hz); 1/25 ~ 1/1,000 sec. (50Hz) | |
| | Flickerless | 1/120 sec. (60Hz); 1/100 sec. (50Hz) | |
| | BLC | Yes | |
| | AGC | Automatic (User defined) | |
| S/N Ratio | White Balance | AUTO, INDOOR1, INDOOR2, OUTDOOR1, OUTDOOR2, HOLD CURRENT, MANUAL | |
| | S/N Ratio | Better than 44 dB | |
| Video Compression | Compression | MPEG-4 SP / MJPEG selectable | |
| | Picture Resolution | SXGA (1280 x 1024) | |
| | | HD 720 (1280 x 720) | |
| | | VGA (640 x 480) | |
| QVGA(320 x 240) | | | |
| Bit Rate | 28 K ~ 3 M bps | | |
| Image Frame Rate | 8 fps at SXGA; 10 fps at HD720; 30 fps at VGA; 30 fps at QVGA; 30 fps at QQVGA | | |
| Audio Input | Compression | 8kHz, Mono, PCM | |
| | Built-in Microphone | Sensitivity: -36±3dB(0dB=1V/Pa); S/N Ratio: more than 58 dB; Directivity: Omni-directional | |
| Audio Output | Compression | 8kHz, Mono, PCM | |
| | Audio Line Output | Unbalanced, 1.4Vp-p, 1Vrms, 3.5mm Phone Jack | |
| External I/O | Reset Button | Factory default | |
| | LED | System status | |
| Network | Ethernet | Ethernet(10/100 Base-T), RJ-45 connector | |
| | Protocol | TCP, UDP, IP, HTTP, DHCP, PPPoE, RTP, RTSP, FTP, SMTP, DNS, DDNS, NTP, ICMP, IGMP, ARP | |
| Software | Web Browser | Microsoft Internet Explorer 6.0 or above | |
| | SDK | ACTi SDK-10000 | |
| Operating | Security | Password protection: configured by the administrator | |
| Power | Temperature | 0 °C ~ 40 °C (32 °F ~ 104 °F) | |
| | Power Requirement | DC 3.3V ±10% | PoE (IEEE 802.3af) with Class 3 |
| Physical | Power Consumption | 2.4 W | 2.88 W (DC 12V), 3.00 W (PoE) |
| Approvals | Dimensions (WxHxD) | 88 mm x 85 mm x 39 mm (3.47" x 3.35" x 1.54") | |
| | Weight | 150 g (0.33 lb) (w/o bracket) | |
| | Certificate | CE, FCC | |

MODEL SELECTION

| Model Name | DC 12V/PoE |
|------------|------------|
| ACM-4200 | |
| ACM-4201 | V |

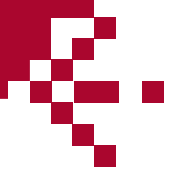
ACCESSORY OPTIONS

- Lens, f2.4 ~ 6mm F1.2, CS mount, Format 1/3" PLEN-0201
- Lens, f2.8 ~ 12mm F1.6, CS mount, Format 1/3" PLEN-0202

BUNDLED ACCESSORY

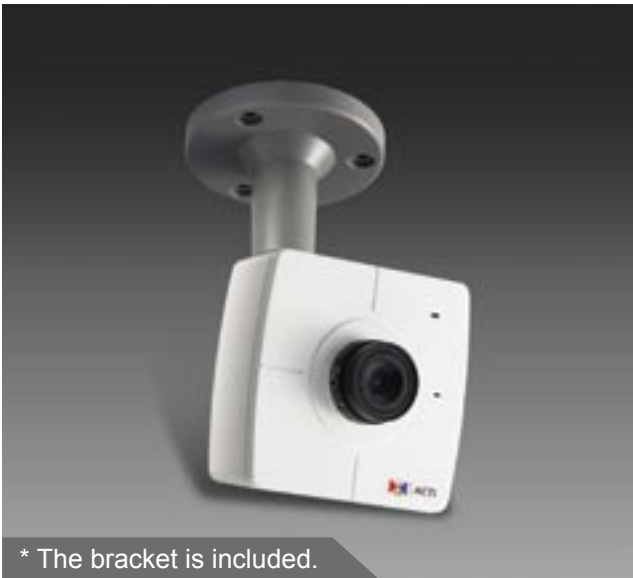


- Max. Load: 1.5 kg
- Material / Color: ABS PLASTIC / Grey
- Dimension (H x D): 115 mm x 80 mm
- Swivel Angle: 360°
- Tilt Angle: 90°



TCM-4301

H.264 Megapixel IP Cube Camera



* The bracket is included.

- 1/3" Micron Progressive Scan CMOS
- Bundled with f4.2 mm / F1.8 Megapixel lens
- 0.5 Lux at F 1.0
- Interchangeable Lenses Available
- Shutter Speed, White Balance, Exposure, Gain Controls supported
- H.264 / MPEG-4 / MJPEG triple codec with two simultaneous streams
- Up to SXGA resolution at 18 FPS
- Two-way audio supported
- Hardware motion detection
- DC 12V or Power over Ethernet (IEEE 802.3af) supported

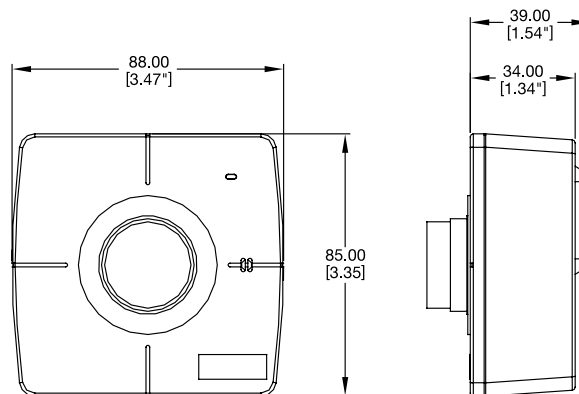


- ① Power LED
- ② Built-in Microphone

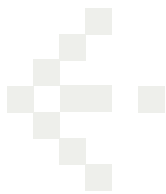


- ③ Audio Output
- ④ Ethernet Port
- ⑤ Reset Button
- ⑥ DC 12V Power Input

DIMENSION DIAGRAM



Unit: mm [inch]



PRODUCT SPECIFICATION

| | | TCM-4301 |
|-------------------------|------------------------|---|
| Image | Device | Micron Progressive Scan CMOS |
| | Size | 1/3 inch |
| | Effective Pixels | 1280(H) x 1024(V) |
| Min. scene Illumination | Color | 0.5 Lux at F1.0 (2400 °K, 30 IRE) |
| Lens | Lens | f4.2 mm / F1.8 |
| | Viewing Angle | 75° (Horizontal) |
| Synchronization | Sync. System | Internal |
| Functions | Motion Detection | Yes (3 Windows) |
| | Electronic shutter | 1/5 ~ 1/15,000 sec. |
| | Fixed Shutter (Manual) | 1/30 ~ 1/1,000 sec. (60Hz); 1/25 ~ 1/1,000 sec. (50Hz) |
| | Flickerless | 1/120 sec. (60Hz); 1/100 sec. (50Hz) |
| | BLC | Yes |
| | AGC | Automatic (User defined) |
| | White Balance | AUTO, INDOOR1, INDOOR2, OUTDOOR1, OUTDOOR2, HOLD CURRENT, MANUAL |
| S/N Ratio | S/N Ratio | Better than 44 dB |
| Video Compression | Compression | H.264 / MPEG-4 SP / MJPEG simultaneous dual streams selectable |
| | Picture Resolution | SXGA (1280x1024); HD 720 (1280x720); VGA (640x480); QVGA (320x240); QQVGA (160x112) |
| | Bit Rate | 28K ~ 6M bps |
| | Image Frame Rate | 18 fps at SXGA; 26 fps at HD720; 30 fps at VGA; 30 fps at QVGA; 30 fps at QQVGA |
| Audio Input | Compression | 8kHz, Mono, PCM |
| | Built-in Microphone | Sensitivity: -36±3dB(0dB=1V/Pa); S/N Ratio: more than 58 dB; Directivity: Omni-directional |
| Audio Output | Compression | 8kHz, Mono, PCM |
| | Audio Line Output | Unbalanced, 1.4Vp-p, 1Vrms, 3.5 mm Phone Jack |
| External I/O | Reset Button | Factory default |
| | LED | System status |
| Network | Ethernet | Ethernet(10/100 Base-T), RJ-45 connector |
| | Protocol | TCP, UDP, IP, HTTP, HTTPS, DHCP, PPPoE, RTP, RTSP, IPv6, FTP, SMTP, DNS, DDNS, NTP, ICMP, IGMP, ARP, UPnP |
| Software | Web Browser | Microsoft Internet Explorer 6.0 or above |
| | SDK | ACTi SDK-10000 |
| | Security | Password protection: configured by the administrator |
| Operating | Temperature | -10 °C ~ 40 °C (14 °F ~ 104 °F) |
| Power | Power Requirement | PoE (IEEE802.3af) with Class 3 |
| | Power Consumption | 4.1 W (DC 12V) ; 5.3 W (PoE) |
| Physical | Dimensions (WxHxD) | 88 mm x 85 mm x 39 mm (3.47" x 3.35" x 1.54") |
| | Weight | 150 g (0.33 lb) (w/o bracket) |
| Approvals | Certificate | CE, FCC |

ACCESSORY OPTIONS

- Lens, f2.4~6mm F1.2, CS mount, Format 1/3" PLEN-0201
- Lens, f2.8~12mm F1.6, CS mount, Format 1/3" PLEN-0202

BUNDLED ACCESSORY



- Max. Load: 1.5 kg
- Material / Color: ABS PLASTIC / Grey
- Dimension (H x D) : 115 mm X 80 mm
- Swivel Angle: 360°
- Tilt Angle: 90°