

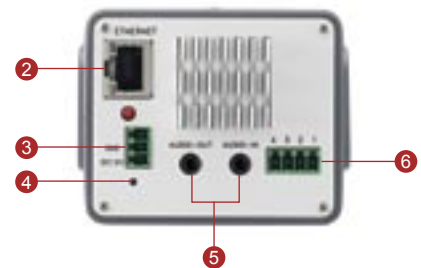


# TCM-5311

## H.264 CCD Megapixel IP Camera

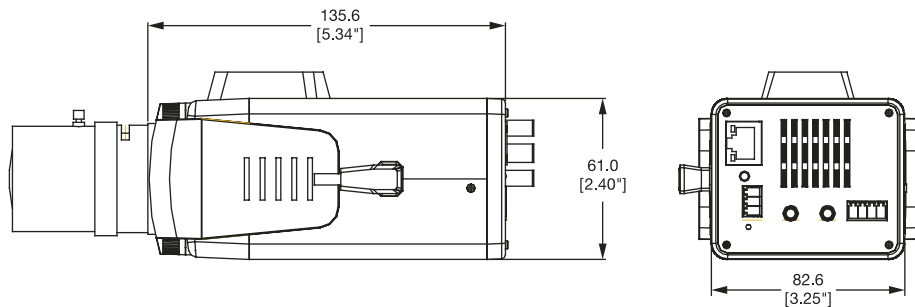


- 1/3" Sony 1.25 M EXviewHAD CCD
- Day and night function with Mechanical IR Cut-Filter
- 0.05 Lux at F1.2
- White Balance, Exposure, Gain Controls supported
- The external back focus feature allows for easy and precise focus adjustments
- H.264 / MPEG-4 / MJPEG triple codec with two simultaneous streams
- Up to 1280 x 960 resolution at 15 FPS
- Two-way audio supported
- Hardware motion detection, Digital Input / Output
- DC 12 V or Power Over Ethernet (IEEE 802.3af)



- |                             |                          |
|-----------------------------|--------------------------|
| 1 DC Iris Lens Control Port | 4 Reset Button           |
| 2 Ethernet Port             | 5 Audio Input / Output   |
| 3 Power Input               | 6 Digital Input / Output |

### DIMENSION DIAGRAM



Unit: mm [inch]

**PRODUCT SPECIFICATION**

		TCM-5311
Image	Device	SONY Progressive Scan 1.25M Pixel EXviewHAD CCD
	Size	1/3 inch
	Effective Pixels	1296 (H) x 966 (V)
	Horizontal Resolution	900 TVL
Min. Scene Illumination	Min. Illumination	0.05 Lux at F1.2 (30 IRE, SAGC)
	IR Sensitivity	from 700nm to 1100nm
	CDS Sensor	N/A
Lens	Lens Mount	C/CS
Synchronization	Sync. System	Internal
Day/Night Functions	Mechanical IR Cut Filter	Yes
Functions	Motion Detection	Yes (3 Windows)
	Electronic Shutter	1/50 (1/60) ~ 1/10,000 sec
	Fixed Shutter	1/60, 1/120, 1/250, 1/500, 1/1000, 1/2000, 1/5000, 1/10000
	Flickerless	Auto On/Off
	BLC	Auto On/Off
	AGC	Super AGC 0~36 dB
	White Balance	Auto, Indoor1, Indoor2, Outdoor1, Outdoor2, Hold Current, Manual
S/N Ratio	S/N Ratio	Better than 50 dB
Video Compression	Compression	H.264/ MPEG-4 SP/ MJPEG simultaneous dual streams selectable
	Picture Resolution	SXGA (1280x960)
		HD720 (1280x720)
		VGA (640x480)
		QVGA (320x240)
QQVGA (160x112)		
Bit Rate	28K ~ 6M bps	
Image Frame Rate	15 fps at SXGA; 30 fps at HD720; 30 fps at VGA; 30 fps at QVGA; 30 fps at QQVGA	
Audio Input	Compression	8kHz, Mono, PCM
	Audio Line Input	Unbalanced, 1.4Vp-p, 1Vrms, 3.5mm Phone Jack
Audio Output	Compression	8kHz, Mono, PCM
	Audio Line Output	Unbalanced, 1.4Vp-p, 1Vrms, 3.5mm Phone Jack
Alarm	Digital Input	1, Active low under 0.7V/ input voltage max 30V, Terminal Block
	Digital Output	1, OD/ max 24VDC/100mA, Terminal Block
External I/O	Reset Button	Factory Default
	LED	System Status
Network	Ethernet Port	Ethernet (10/100 Base-T), Terminal Block
	Protocol	TCP, UDP, HTTP, HTTPS, DHCP, PPPoE, RTP, RTSP, DNS, DDNS, NTP, ICMP, ARP, IGMP, SMTP, FTP, 3GPP, UPnP
Software	Web Browser	Microsoft Internet Explorer 6.0 or above
	SDK	ACTi SDK-10000
	Security	Password Protection: Configured by the Administrator
Operating	Temperature	-10°C ~ 45°C (14°F ~ 113°F)
Power	Power Requirement	PoE (IEEE 802.3af) with Class 3
	Power Consumption	7W
Physical	Dimensions (WxHxD)	135.6mm x 82.6mm x 61.0mm (5.34" x 3.25" x 2.40")
	Weight	505g (1.1lb)

**ORDERING INFORMATION**

Model Name	D & N	DC 12V / PoE
TCM-5311	V	V

**ACCESSORY OPTIONS**

- Lens, f2.8~12mm F1.3, CS mount, Format 1/3"
- Camera bracket

LEN-207  
R695-00011-000