

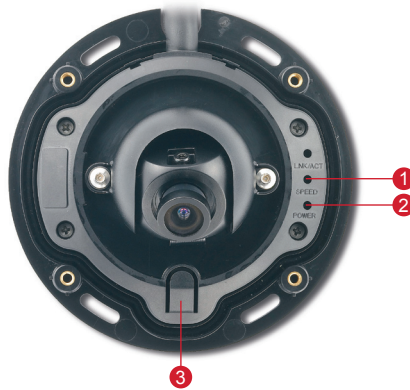


Megapixel IP 2-Inch Mini Dome

ACM-3701/ACM-3703



- 1/3" Micron Progressive Scan CMOS
- Integrated with f3.6mm / F1.8 fixed lens
- 0.5 Lux at F1.0
- Shutter Speed, White Balance, Exposure , Gain Controls supported
- Selectable MPEG-4 / MJPEG compression
- Multi-stream with variable frame rate in the same compression
- Up to SXGA resolution at 8 FPS
- Hardware motion detection
- Support Power over Ethernet (IEEE 802.3af) only
- Rugged RJ45 Ethernet connector (ACM-3701) / Rugged M12 Ethernet connector (ACM-3703)
- Heavy-duty, weatherproof and vandal proof with IP66 protection



- 1 Ethernet Indicator LED
- 2 Power LED
- 3 Reset Button

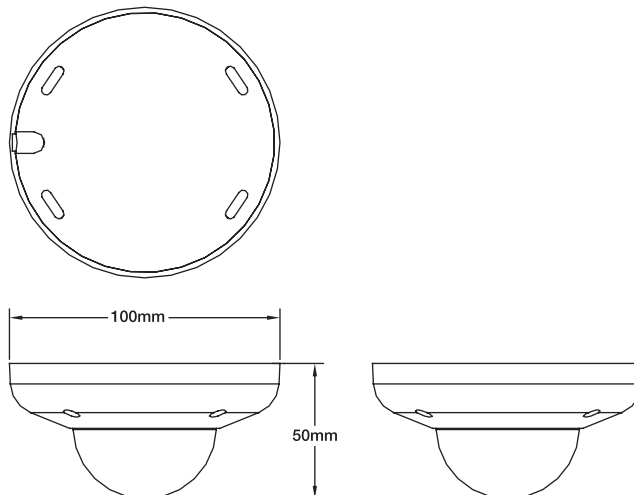


Rugged RJ-45 Connector

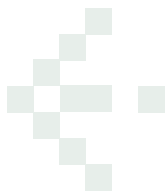


Rugged M12 Connector

DIMENSION DIAGRAM



Unit: mm [inch]

**ACM-3701/ACM-3703****PRODUCT SPECIFICATION**

		ACM-3701	ACM-3703
Image	Device	Micron Progressive Scan CMOS	
	Size	1/3 inch	
	Pixels - Effective	1280 X 1024	
Min. scene Illumination	Color	0.5 Lux at F1.0 (2400°K, 30 IRE)	
	Lens	f3.6mm / F1.8	
Lens	Viewing Angle	85° (Horizontal)	
	Camera Angle Adjustment	X (Panning)	± 20°
Y (Tilting)		0° ~ 90°	
Synchronization	Sync. System	Internal	
	Motion Detection	Yes (3 Windows)	
Functions	Electronic shutter	1/5 ~ 1/2,000 sec. (60Hz) 1/5 ~ 1/2,000 sec. (50Hz)	
	Flickerless	1/120 sec. (60Hz) 1/100 sec. (50Hz)	
	BLC	Yes	
	AGC	Automatic (User defined)	
	White Balance	AUTO,INDOOR1,INDOOR2,OUTDOOR1,OUTDOOR2, HOLD CURRENT,MANUAL	
	S/N Ratio	S/N Ratio	Better than 44 dB
Video Compression	Compression	MPEG-4 SP / MJPEG	
	Picture Resolution	SXGA (1280 x 1024); HD 720 (1280 x 720); VGA (640 x 480); QVGA(320 x 240); QQVGA(160 x 112)	
	Bit Rate	28 K ~ 3 M bps	
	Image Frame Rate	SXGA at 8 fps; HD720 at 10 fps; VGA at 30 fps; QVGA at 30 fps; QQVGA at 30 fps	
External I/O	Reset Button	Factory Default	
	LED	System Status	
Casing	Mount Type	Surface	
Network	Ethernet	Ethernet(10/100 Base-T), Rugged RJ-45 Connector	Ethernet(10/100 Base-T), Rugged M12 Connector
	Protocol	TCP, UDP, IP, HTTP, DHCP, PPPoE, RTP, RTSP,FTP,SMTP,DNS,DDNS,NTP,ICMP,IGMP,ARP,3GPP	
Software	Web Browser	Microsoft Internet Explorer 6.0 or above	
	SDK	ACTi SDK-10000	
	Security	Password Protection: Configured by the administrator	
Operating	Temperature	-20°C~50°C (-4°F ~ 122°F)	
Power	Power Requirement	PoE (IEEE 802.3af) with Class 3	
	Power Consumption	2.4W	
Physical	Dimensions (WxHxD)	100 mm x 50 mm	
	Weight	220g (0.48 lb)	

ORDERING INFORMATION

Model Name	Rugged RJ-45 PoE	Rugged M12 PoE
ACM-3701	V	
ACM-3703		V

ACCESSORY OPTION

- Lens, f6.0mm, F1.8, Board mount, Format 1/3" LEN-114
- Lens, f12.0mm F1.8, Board mount, Format 1/3" LEN-115
- Lens, f2.4mm F2.0, Board mount, Format 1/3" LEN-117
- PoE Injector (For ACM-3701 Only) R691-00055-XXX

Bundled Accessory

- RJ45 Field Installable Feed Through Adaptor (ACM-3701 Only)



- M12 Field Installable Feed Through Adaptor (ACM-3703 Only)